

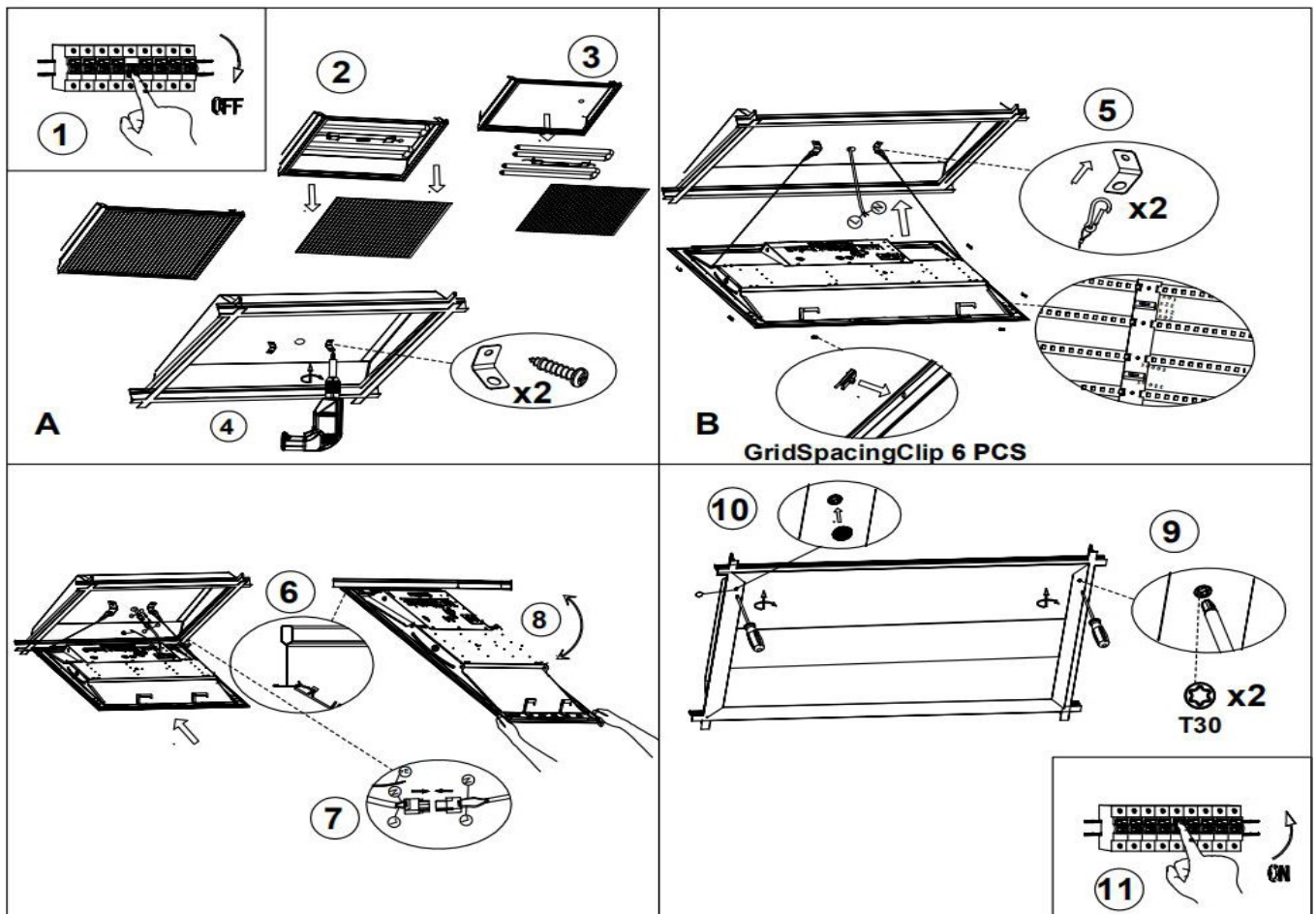
WARNING

- Risk of fire. Turn off power before installation.
- Risk of electronic shock. Install only by certified electrician with gloves.
- To be used indoor dry location only.
- If the luminaire exhibits undesirable operation (buzzing, flickering, not working etc.) ,immediately turn off power, remove luminaire and contact manufacturer.
- Do not install large quantity of fixtures before testing.



INSTALLATION GUIDE-AS RETROFIT KIT-VOLUMETRIC

1. Disconnect or turn off power before installation, see step ①.
2. If applicable: adjust the FlexWatt and/or FlexColor switches to desired wattage/lumen package and CCT. Note: not all models have these adjustments. Check your part # and product specification sheet for more details.
3. Remove existing fixture lens. See step ②.
4. Remove existing sockets/ballast. See step ③.
5. Attach the safety L brackets(accessory bag) to the old housing in the center of the fixture. See step ④.
6. Hang the troffer retrofit to the old housing with safety cables and carabiners(accessory bag). See step ⑤.
7. Make the electrical connection to the fixture in accordance with local electrical code. Make all necessary wiring connections, observing proper voltage and polarity. See Step ⑦.
8. Insert the knife edge side between the old housing and T-grid, make sure it is fully inserted. Push the retrofit up into the T grid opening. See step ⑧ and step ⑧.
9. Insert the T30 Torx screwdriver into the Locking mechanism. Rotate them clockwise to expand and engage the Lock mechanism to hold the panel retrofit to the T-Grid. See step ⑨ .
10. Paste the round labels(accessory bag) to cover the Torx screw head. See step ⑩.
11. Connect or turn on the power, the light will be on. See step ⑪.



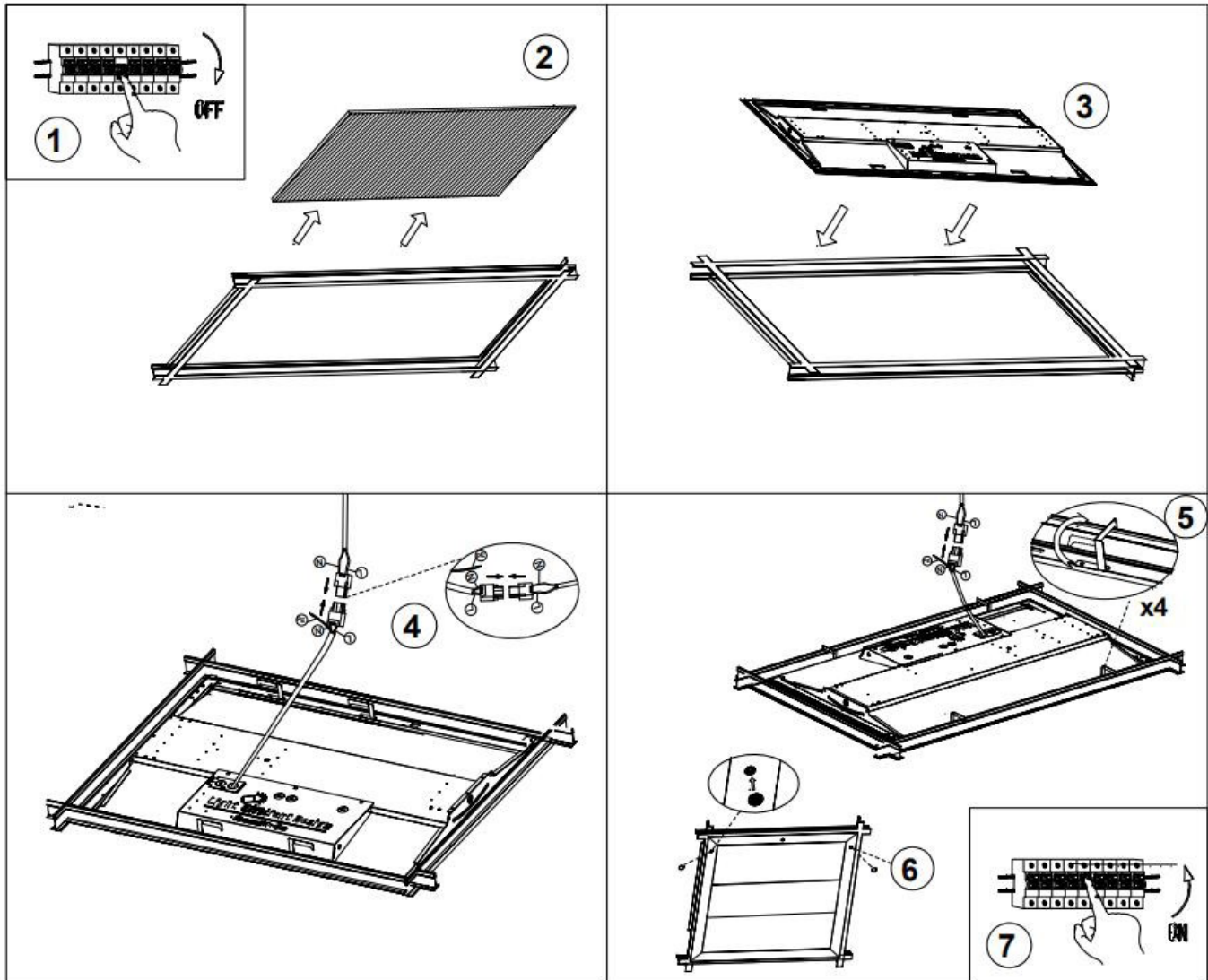
WARNING

- Risk of fire. Turn off power before installation.
- Risk of electronic shock. Install only by certified electrician with gloves.
- To be used indoor dry location only.
- If the luminaire exhibits undesirable operation (buzzing, flickering, not working etc.) ,immediately turn off power, remove luminaire and contact manufacturer.
- Do not install large quantity of fixtures before testing.



INSTALLATION GUIDE-AS FIXTURE- VOLUMETRIC

1. Disconnect or turn off power before installation, see step ①.
2. If applicable: adjust the FlexWatt and/or FlexColor switches to desired wattage/lumen package and CCT. Note: not all models have these adjustments. Check your part # and product specification sheet for more details.
3. Remove the existing tiles or fixture from the T grid. See step ②.
4. Slide the troffer fixture through the open Ceiling grid hole and drop it in place in the T grid. See step ③.
5. Make the electrical connection to the fixture in accordance with local electrical code. Make all necessary wiring connections, observing proper voltage and polarity. See Step ④.
6. Bend the earthquake clips on all 4 corners to secure the fixture to the T grid. See step ⑤ .
7. Paste the round labels(accessory bag) to cover the Torx screw. See step ⑥.
8. Connect or turn on the power, the light will be on. See step ⑦.



Printed on paper that is FSC® Certified, SFI® Certified Sourcing and Rainforest Alliance Certified™. 10% post consumer recycled content and certified fiber. It's the optimal environmental choice, because RemPhos cares

May be protected under the following US patents -US 8,106569 | US 8,882,298 | Additional patents pending. Information is subject to change without notice.

11.18

Light Efficient Design

RemPhos

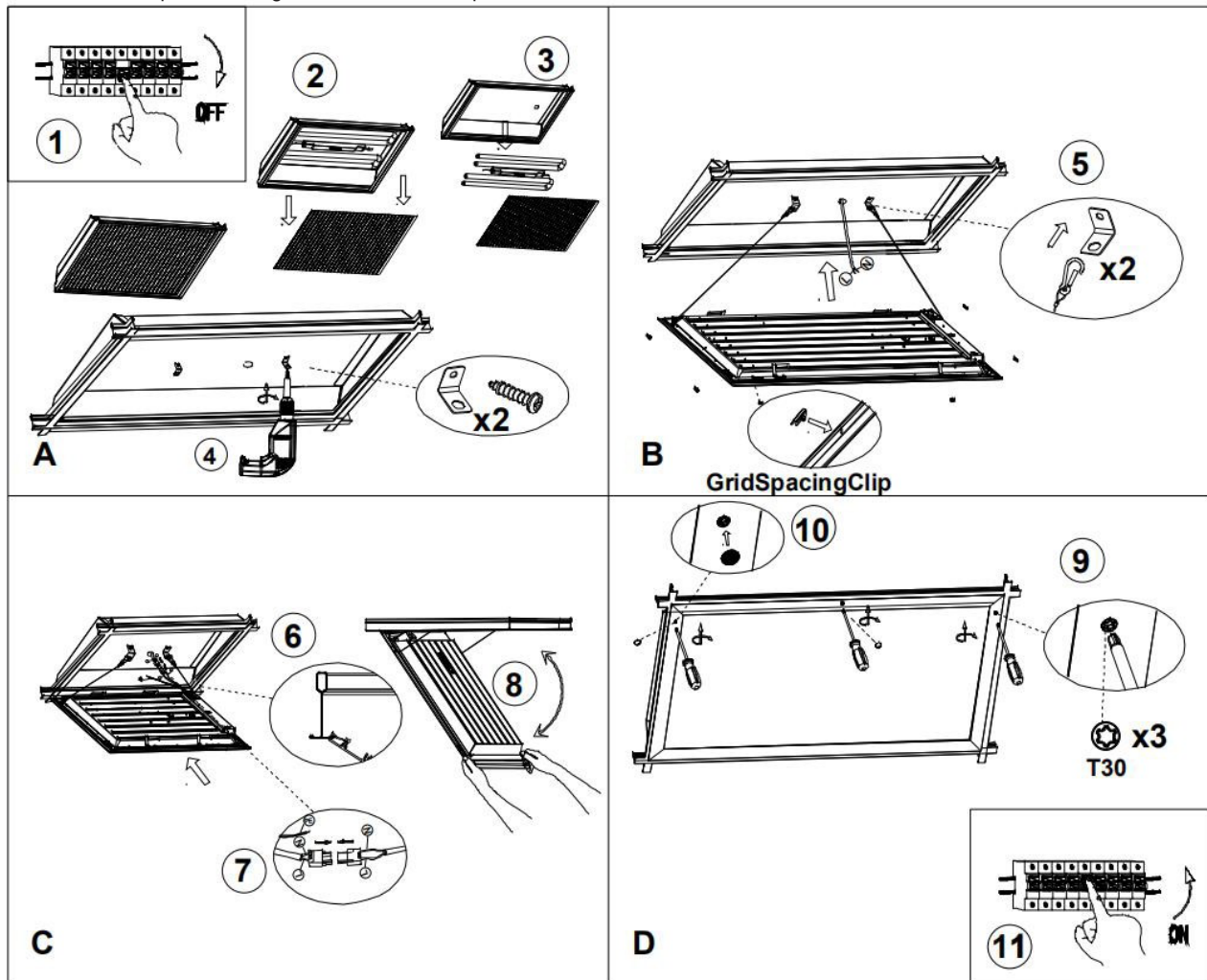
WARNING

- Risk of fire. Turn off power before installation.
- Risk of electronic shock. Install only by certified electrician with gloves.
- To be used indoor dry location only.
- If the luminaire exhibits undesirable operation (buzzing, flickering, not working etc.) ,immediately turn off power, remove luminaire and contact manufacturer.
- Do not install large quantity of fixtures before testing.



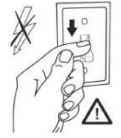
INSTALLATION GUIDE-AS RETROFIT KIT-PANEL STYLE

1. Disconnect or turn off power before installation, see step ①.
2. If applicable: adjust the FlexWatt and/or FlexColor switches to desired wattage/lumen package and CCT. Note: not all models have these adjustments. Check your part # and product specification sheet for more details.
3. Remove existing fixture lens. See step ②.
4. Remove existing sockets/ballast. See step ③.
5. Attach the safety L brackets(accessory bag) to the old housing in the center of the fixture. See step ④.
6. Hang the troffer retrofit to the old housing with safety cables and carabiners(accessory bag). See step ⑤.
7. Make the electrical connection to the fixture in accordance with local electrical code. Make all necessary wiring connections, observing proper voltage and polarity. See Step ⑦.
8. Insert the knife edge side between the old housing and T-grid, make sure it is fully inserted. Push the retrofit up into the T grid opening. See step ⑥. and step ⑧.
9. Insert the T30 Torx screwdriver into the Locking mechanism. Rotate them clockwise to expand and engage the Lock mechanism to hold the panel retrofit to the T-Grid. See step ⑨ .
10. Paste the round labels(accessory bag) to cover the Torx screw head. See step ⑩.
11. Connect or turn on the power, the light will be on. See step ⑪.



WARNING

- Risk of fire. Turn off power before installation.
- Risk of electronic shock. Install only by certified electrician with gloves.
- To be used indoor dry location only.
- If the luminaire exhibits undesirable operation (buzzing, flickering, not working etc.) ,immediately turn off power, remove luminaire and contact manufacturer.
- Do not install large quantity of fixtures before testing.



INSTALLATION GUIDE-AS FIXTURE-PANEL STYLE

1. Disconnect or turn off power before installation, see step ①.
2. If applicable: adjust the FlexWatt and/or FlexColor switches to desired wattage/lumen package and CCT. Note: not all models have these adjustments. Check your part # and product specification sheet for more details.
3. Remove the existing tiles or fixture from the T grid. See step ②.
4. Slide the troffer fixture through the open Ceiling grid hole and drop it in place in the T grid. See step ③.
5. Make the electrical connection to the fixture in accordance with local electrical code. Make all necessary wiring connections, observing proper voltage and polarity. See Step ④.
6. Bend the earthquake clips on all 4 corners to secure the fixture to the T grid. See step ⑤ .
7. Paste the round labels(accessory bag) to cover the Torx screw. See step ⑥.
8. Connect or turn on the power, the light will be on. See step ⑦.

